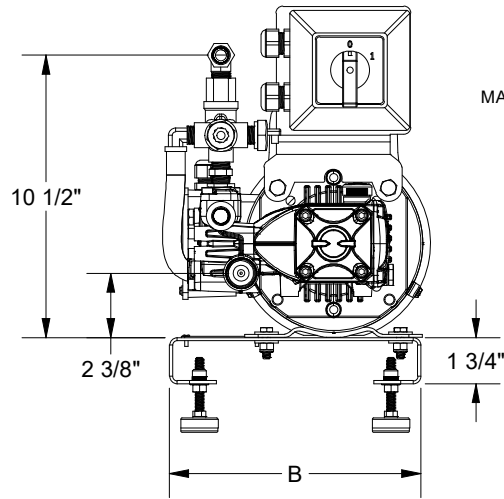
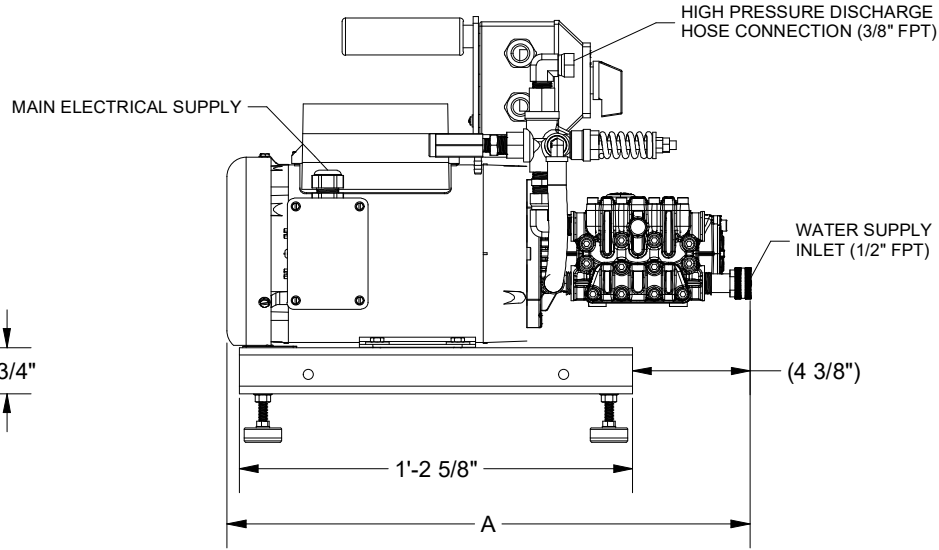


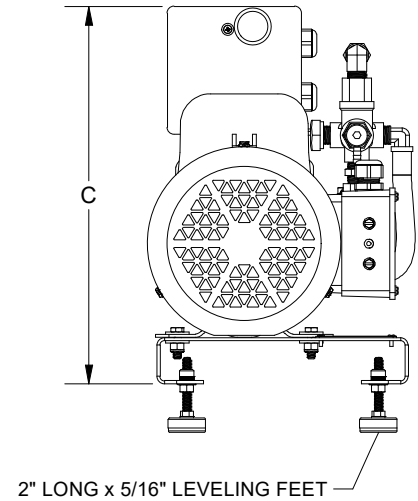
**FRONT VIEW**



**SIDE VIEW**



**BACK VIEW**



**OPTIONAL FEATURES**

- BLUE PAINTED COVER
- STAINLESS STEEL COVER
- 15', 25', 30', OR 50' DISCHARGE WAND HOSE
- 8' WATER INLET HOSE
- SOAP INJECTION

**EI DIMENSIONS**

UNIT	A	B	C
2/1000	1'-7 1/2"	9 11/16"	1'-2 1/16"
2/1500	1'-9 3/8"	9 11/16"	1'-2 1/16"
2/2000	1'-9 3/8"	9 11/16"	1'-2 1/16"
3/1000	1'-9 3/8"	9 5/8"	1'-2 1/16"
3/1500	1'-9 3/8"	9 11/16"	1'-2 1/16"

**SPECIFICATIONS TABLE**

MODEL (GPM/PSI)	PHASE	HP	VOLTAGE	AMPERAGE
2/1000	1 PH	1.5	115/230	13.2/6.6
2/1500	1 PH	2	115/230	17.6/8.8
2/2000	1 PH	3	208/230	13.7/12.5
3/1000	1 PH	2	115/230	17.6/8.8
3/1500	1 PH	3	208/230	13.7/12.5

**NOTES:**

**1. POWER REQUIREMENTS**

POWER SUPPLY TO BE SUPPLIED ON SEPARATE PROTECTED CIRCUIT BY OTHERS PER REQUIREMENTS LISTED ON SPECIFICATIONS TABLE

**2. PLUMBING CONNECTIONS**

**-WATER REQUIREMENTS**

SHUT-OFF VALVE (PROVIDED BY OTHERS) REQUIRED AT WATER SUPPLY INLET LOCATION

MINIMUM WATER SUPPLY SHALL BE PROVIDED AT GREATER GPM THAN AS LISTED IN SPECIFICATION TABLE AND 25-75 PSI

**3. OTHER SPECIFICATIONS**

GFCI POWER CORD LENGTH: APPROX. 6'  
STANDARD UNIT WEIGHT: APPROX. 75 lbs

UNLESS OTHERWISE INDICATED:  
DIMENSIONS ARE IN INCHES.  
REMOVE ALL BURRS & SHARP EDGES.

TOLERANCES AS FOLLOWS:  
± .1" ON ANGLES

DRWN	DATE
JFS	08/29/22
REVISED	DATE
JFS	09/12/22
APPR	DATE

DESIGNER(S)	JACOB S.
-------------	----------



DWG TITLE

DIMENSIONAL SPECS, EI

HYDRO ENGINEERING INC.  
865 W. 2800 S., SALT LAKE CITY, UT 84119

PROJECT / DWG TYPE

DIMENSIONAL SPEC.

DWG FILE W:\CAD\SPECS\HB\EC-EI\

VAULT FILE

SDEI.idw

DWG PIN

SDEI