

**Hydrobooth™ Washout Booth**

Part#	B4030	B6030	B7230	B9630	B12030
-------	-------	-------	-------	-------	--------

**All Measurements To Be Added:**

Booth Depth w/ Frame = 34"  
 Light Housing = 11 1/8"  
**(Total Depth is Booth + Light Housing = 45 1/8")**  
 Stand Height = 26"  
 Side Panel Height = 48"

**Add Fan and "Bump", When Applicable.**

The 18" Inside Diameter Vent Fan Height = 16 1/2"  
 The 16" Inside Diameter Vent Fan Height = 16 1/2"  
 "Bump1" = 1' added to the side panel height.  
 "Bump2" = 2' added to the side panel height.

**Standard Features:**

- Stainless Steel Sink Pan
- Stainless Steel Screen Holding Trough
- Stainless Steel Adjustable Vertical Screen Holder
- 18 Gauge Galvanized Steel Sides and Top Panels
- Backlighting

**Booth Options**

Non Vented

Vented

**Booth Cabinet Height Options**

48" High - Standard

60" High - 1' Bump

72" High - 2' Bump

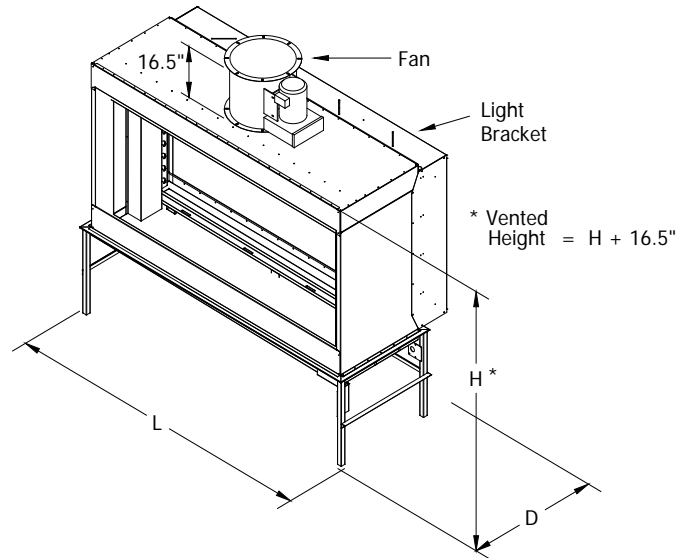
**Electrical: Power & controls**

Non Vented, 115 Volt, 1 Phase, 60 Hertz

Non Vented, 220 Volt, 1 Phase, 50 Hertz

Vented, 115 Volt, 1 Phase, 60 Hertz

Vented, 220 Volt, 1 Phase, 60 Hertz



TYPE	Booth P/N	Standard Dimension L x D x H	With a 1' Bump L x D x H	With a 2' Bump L x D x H
<b>Non-Vented</b>	B4030	44 3/8" X 45 1/8" X 74"	44 3/8" X 45 1/8" X 86"	44 3/8" X 45 1/8" X 98"
	B6030	64 3/8" X 45 1/8" X 74"	64 3/8" X 45 1/8" X 86"	64 3/8" X 45 1/8" X 98"
	B7230	76 3/8" X 45 1/8" X 74"	76 3/8" X 45 1/8" X 86"	76 3/8" X 45 1/8" X 98"
	B9630	100 3/8" X 45 1/8" X 74"	100 3/8" X 45 1/8" X 86"	100 3/8" X 45 1/8" X 98"
	B12030	124 3/8" X 45 1/8" X 74"	124 3/8" X 45 1/8" X 86"	124 3/8" X 45 1/8" X 98"
<b>*Vented</b>	B4030-V	44 3/8" X 45 1/8" X 90 1/2"	44 3/8" X 45 1/8" X 102 1/2"	44 3/8" X 45 1/8" X 114 1/2"
	B6030-V	64 3/8" X 45 1/8" X 90 1/2"	64 3/8" X 45 1/8" X 102 1/2"	64 3/8" X 45 1/8" X 114 1/2"
	B7230-V	76 3/8" X 45 1/8" X 90 1/2"	76 3/8" X 45 1/8" X 102 1/2"	76 3/8" X 45 1/8" X 114 1/2"
	B9630-V	100 3/8" X 45 1/8" X 90 1/2"	100 3/8" X 45 1/8" X 102 1/2"	100 3/8" X 45 1/8" X 114 1/2"
	B12030-V	124 3/8" X 45 1/8" X 90 1/2"	124 3/8" X 45 1/8" X 102 1/2"	124 3/8" X 45 1/8" X 114 1/2"

\*INCLUDES FAN.



Quality Assured Firm  
 ISO 9001 Certified



Certified Systems Available