

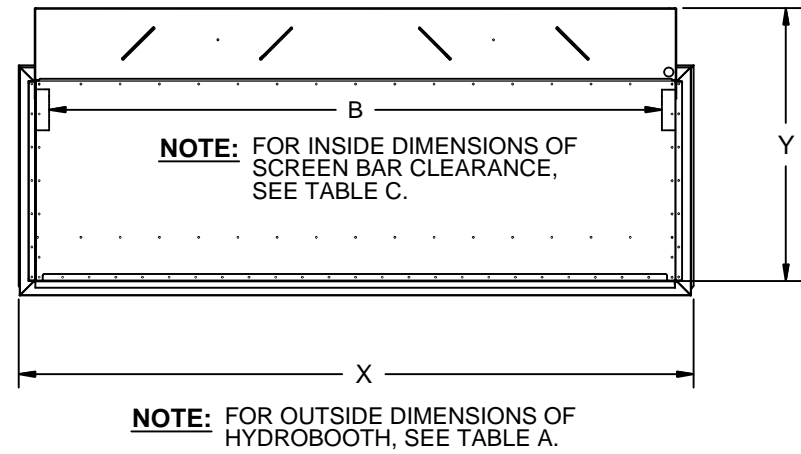
HYDROBOOTH OUTSIDE DIMENSIONS

UNVENTED	BOOTH SELECTION	STANDARD X x Y x Z	WITH A 1' BUMP X x Y x Z	WITH A 2' BUMP X x Y x Z
*	B40	44 ³ / ₈ " X 43 ¹ / ₈ " X 77 ¹ / ₂ "	44 ³ / ₈ " X 43 ¹ / ₈ " X 89 ¹ / ₂ "	44 ³ / ₈ " X 43 ¹ / ₈ " X 101 ¹ / ₂ "
*	B60	64 ³ / ₈ " X 43 ¹ / ₈ " X 77 ¹ / ₂ "	64 ³ / ₈ " X 43 ¹ / ₈ " X 89 ¹ / ₂ "	64 ³ / ₈ " X 43 ¹ / ₈ " X 101 ¹ / ₂ "
*	B72	76 ³ / ₈ " X 43 ¹ / ₈ " X 77 ¹ / ₂ "	76 ³ / ₈ " X 43 ¹ / ₈ " X 89 ¹ / ₂ "	76 ³ / ₈ " X 43 ¹ / ₈ " X 101 ¹ / ₂ "
*	B84	88 ³ / ₈ " X 43 ¹ / ₈ " X 77 ¹ / ₂ "	88 ³ / ₈ " X 43 ¹ / ₈ " X 89 ¹ / ₂ "	88 ³ / ₈ " X 43 ¹ / ₈ " X 101 ¹ / ₂ "
*	B96	100 ³ / ₈ " X 43 ¹ / ₈ " X 77 ¹ / ₂ "	100 ³ / ₈ " X 43 ¹ / ₈ " X 89 ¹ / ₂ "	100 ³ / ₈ " X 43 ¹ / ₈ " X 101 ¹ / ₂ "
*	B120	124 ³ / ₈ " X 43 ¹ / ₈ " X 77 ¹ / ₂ "	124 ³ / ₈ " X 43 ¹ / ₈ " X 89 ¹ / ₂ "	124 ³ / ₈ " X 43 ¹ / ₈ " X 101 ¹ / ₂ "
*	B144	148 ³ / ₈ " X 43 ¹ / ₈ " X 77 ¹ / ₂ "	148 ³ / ₈ " X 43 ¹ / ₈ " X 89 ¹ / ₂ "	148 ³ / ₈ " X 43 ¹ / ₈ " X 101 ¹ / ₂ "

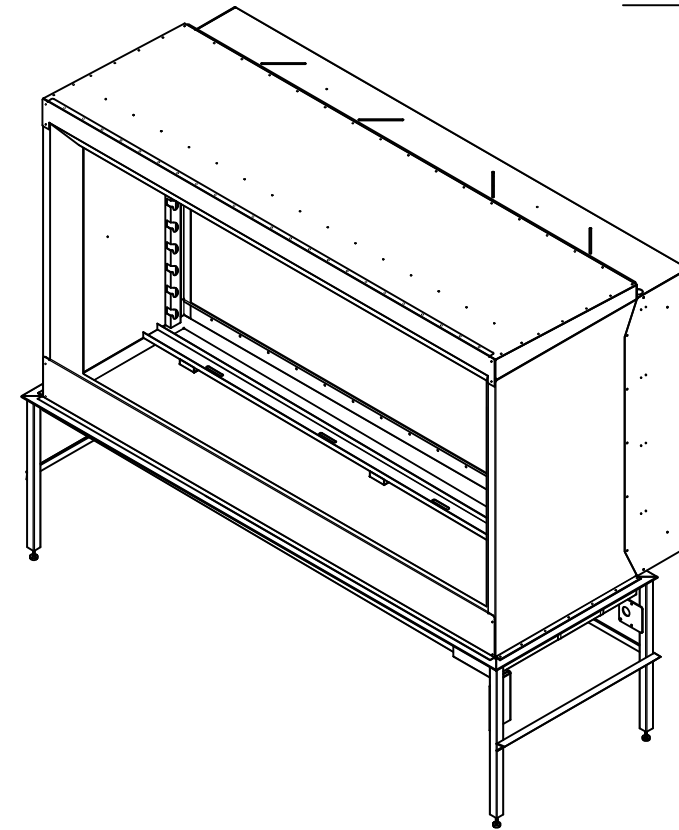
BOOTH TYPE	*STANDARD INSIDE DIMENSIONS		*WITH A 1' BUMP INSIDE DIMENSIONS		*WITH A 2' BUMP INSIDE DIMENSIONS	
	HEIGHT "H"	WIDTH "W"	HEIGHT "H"	WIDTH "W"	HEIGHT "H"	WIDTH "W"
B40	34 3/4"	29 1/2"	46 3/4"	29 1/2"	58 3/4"	29 1/2"
B60	34 3/4"	49 1/2"	46 3/4"	49 1/2"	58 3/4"	49 1/2"
B72	34 3/4"	61 1/2"	46 3/4"	61 1/2"	58 3/4"	61 1/2"
B84	34 3/4"	83 1/2"	46 3/4"	83 1/2"	58 3/4"	83 1/2"
B96	34 3/4"	85 1/2"	46 3/4"	85 1/2"	58 3/4"	85 1/2"
B120	34 3/4"	109 1/2"	46 3/4"	109 1/2"	58 3/4"	109 1/2"
B144	34 3/4"	133 1/2"	46 3/4"	133 1/2"	58 3/4"	133 1/2"

MAXIMUM SCREEN BAR WIDTH DIMENSIONS	
BOOTH TYPE	WIDTH "B"
B40	36"
B60	56"
B72	68"
B84	90"
B96	92"
B120	116"
B144	140"

DIMENSION TABLE A



DIMENSION TABLE B



DIMENSION TABLE C

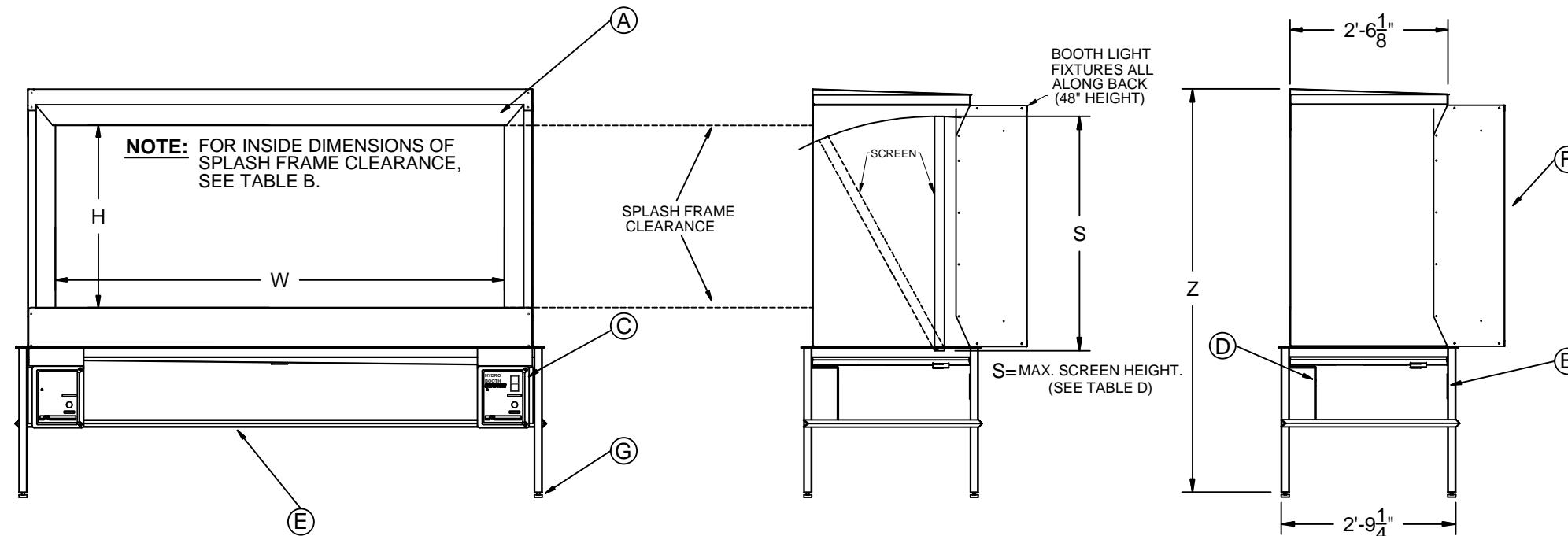
INSTALLATION REQUIREMENTS & NOTES

1. THE HYDROBOOTH MAY BE PLACED WITH THE BACKSIDE CLOSE TO THE WALL OR OUT IN THE OPEN (AS LONG AS CONNECTION POINTS CAN BE MADE). ENOUGH ACCESS CLEARANCE SHOULD BE PROVIDED FOR HOSE & ELECTRICAL CONNECTIONS. RECOMMENDED MINIMUM REAR SPACING FROM WALL, 18".
2. PIPE AND CONDUIT RUNS TO APPROPRIATE LOCATIONS WITHIN THE HYDROBOOTH FRAME, THERE ARE ELECTRICAL CONNECTIONS FOR THE MAIN POWER AS WELL AS THE DRAIN LINE CONNECTION IN LINE WITHIN FRAME, AND LOCATED IN THE BACK OF THE MACHINE. ALL FLUID PIPES TO TERMINATE INTO THE DRAIN LINE WITH A 1 1/2" PVC ELBOW.

FLEX-CONDUIT, SIZED & PROVIDED BY QUALIFIED ELECTRICIAN TO BE ROUTED INTO CONTROL BOX FROM DESIGNATED SUPPLY GANG BOX PER APPLICABLE CODES. USE APPROPRIATE ELECTRICAL DIAGRAMS TO MAKE CONNECTIONS.
3. HYDROBOOTH TO BE SECURED TO GROUND/FLOOR AT CUSTOMER REQUESTS,

COMPONENT IDENTIFICATION

- (A) HYDROBOOTH HOUSING
- (B) ELECTRICAL GANG BOX
- (C) CONTROL BOX
- (D) CONTROL BOX PANEL
- (E) HYDROBOOTH STAND
- (F) LIGHT HOUSING
- (G) FRAME FEET (4-6) DEPENDING ON SIZE OF BOOTH (FRAME FEET NOT INCLUDED IN DIMENSIONAL TABLES)



	This drawing and all information thereon is the property of Hydro Engineering, Inc., and is confidential and must not be made public or copied. This drawing is loaned subject to return upon demand and is not to be used directly or indirectly in any way detrimental to our interests. Copyright © Hydro Engineering, Inc. All rights reserved.	
	HYDRO ENGINEERING INC. 865 W. 2600 S., SALT LAKE CITY, UT 84119	HYDROBOOTH (UNVENTED)
PROJECT/DWG TYPE SPECIFICATIONS	DRWN DNS	DWG FILE ...CAD\SPECS\BOOTH\UNVENTEDSPECS.DWG
HYDRO ENGINEERING PART NO.	XXXXXX	DWG P/N: SDBTHNVNT DATE 08/21/12