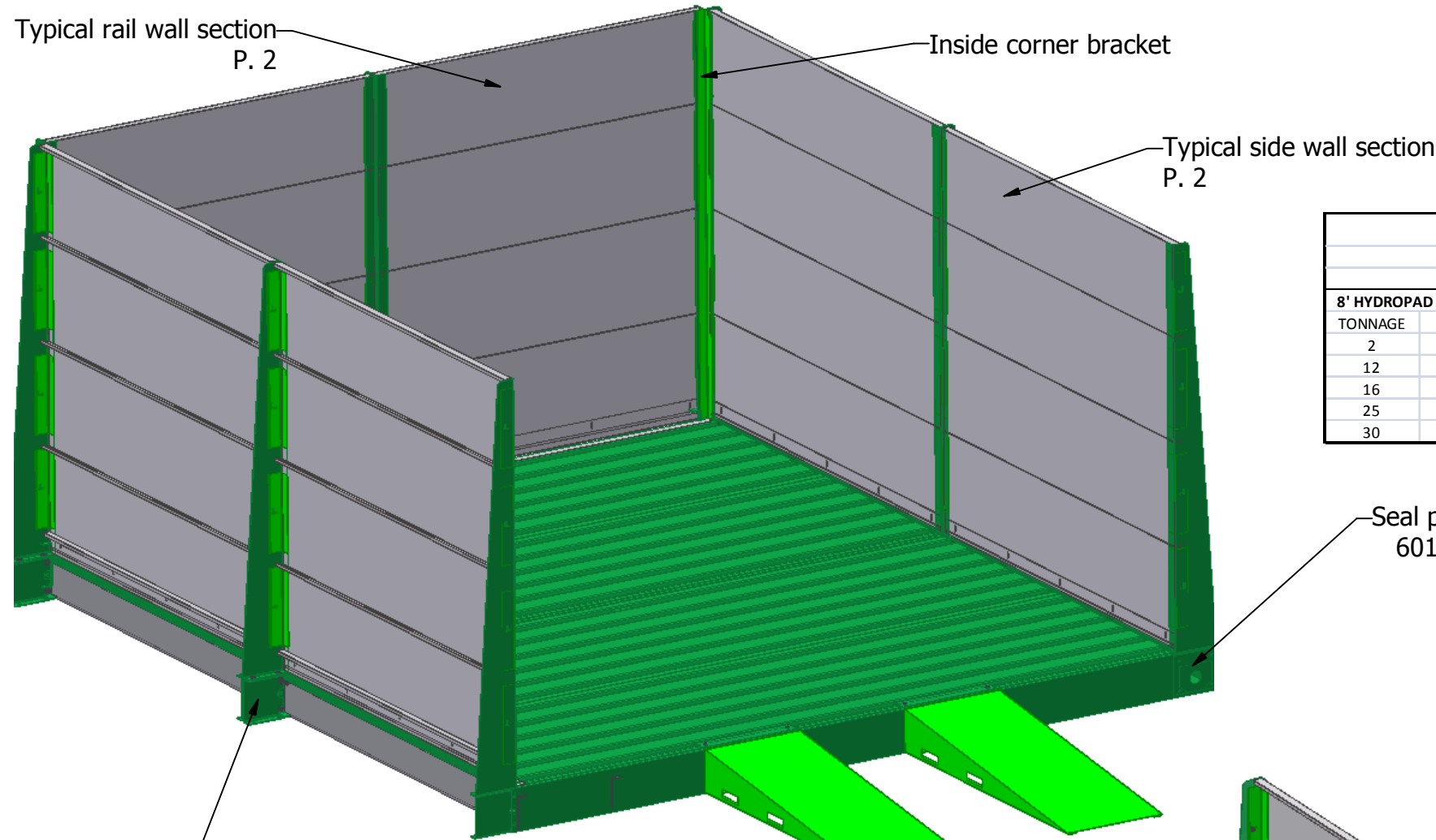


Hydropad Containment System

Guide to Walls, Gutters, and Ramps

These products covered by: US patents (6,799,591 B2) (7,258,749, B2) with additional patents pending



HYDROPADS											
12-16 TON PADS = 10.25" HEIGHT						25-30 TON PADS = 12.25" HEIGHT					
8' HYDROPAD - 1VQ386		10' HYDROPAD - 1VP371		12' HYDROPAD - 1VO364		14' HYDROPAD - 1UZ214		16' HYDROPAD - 2IS789		20' HYDROPAD - 2AK627	
TONNAGE	P/N	TONNAGE	P/N	TONNAGE	P/N	TONNAGE	P/N	TONNAGE	P/N	TONNAGE	P/N
2	N/A	2	N/A	2	N/A	2	2JP011	2	N/A	2	2JP014
12	1VQ387	12	1VA224	12	1VP377	12	1UZ216	12	2IT790	12	2AM640
16	1VQ388	16	1VQ381	16	1VP378	16	1UZ217	16	2IT791	16	2AM641
25	1VQ389	25	1VQ382	25	1VP379	25	1UZ218	25	2IT792	25	2AM642
30	1VQ390	30	1VQ383	30	1VP380	30	1UZ219	30	2IT793	30	2AM643

FRONT VIEW

REAR VIEW

Pad Connection
Non-gutter side
P. 3

- Ramps
- 2JT057 (2 Ton, 14" W)
 - 2KY364 (2 Ton, 24" W)
 - 1VZ479 (12-16 Ton)
 - 1WA480 (25-30 Ton)
 - 2MQ807 (12-16 Ton, 4'x10')
 - 2OO308 (25-30 Ton, 4'x10')
 - Ramp Bracket, end mount
1UW188
 - Ramp Bracket, rail mount
1UW187

Gutter wall
8' panels only

Pad connection,
Gutter side
P. 3

Gutter
2DM423

Corner,
Rail & Gutter walls
P. 4, 5

Fork lift slots

Corner,
Rail & Non-gutter Walls
P. 4

Seal plate w/1 1/2" or 2" fitting
60124 (1 1/2") or 340009 (2")

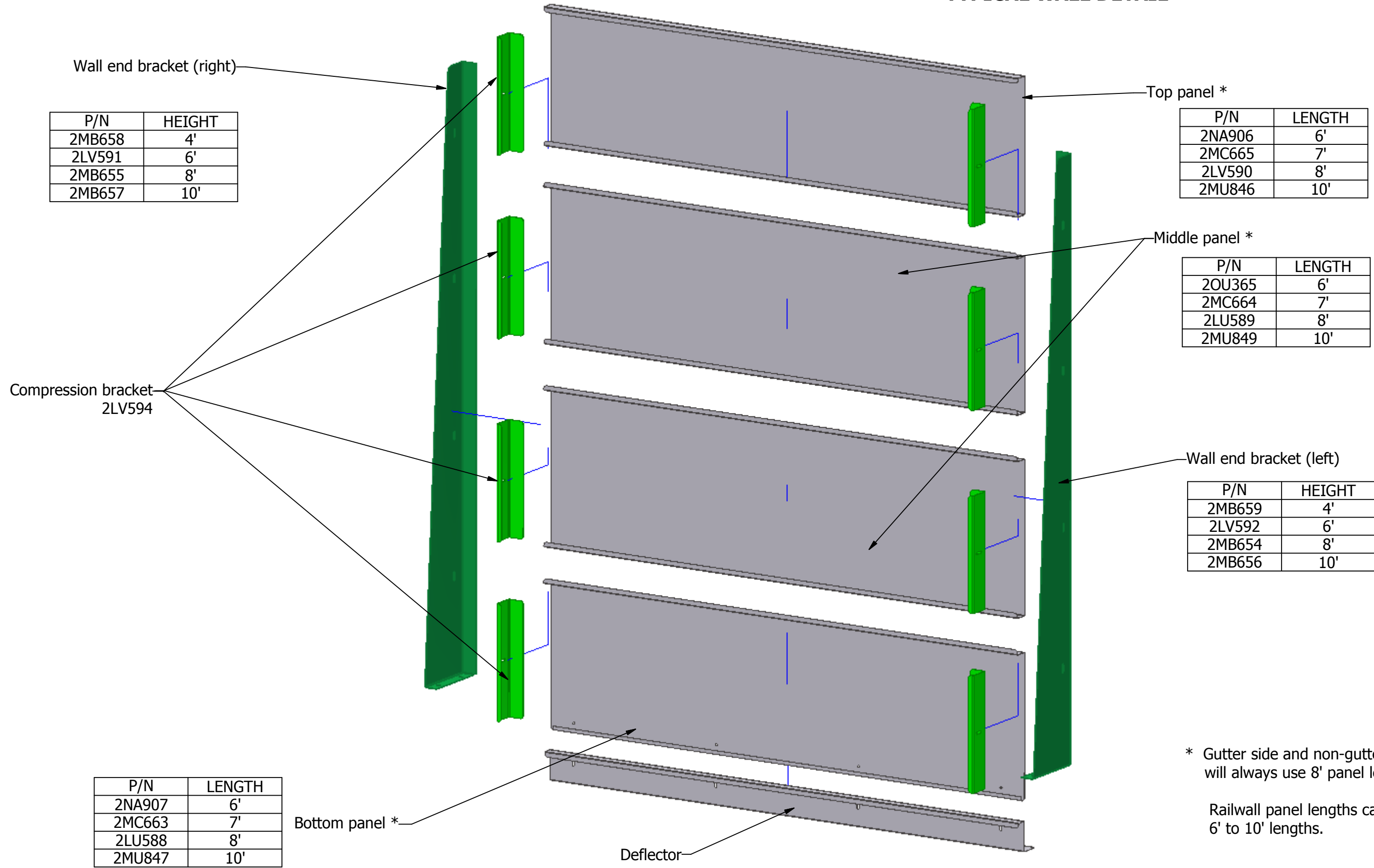
Rail walls
6', 7', 8' or 10' Panels

Side wall
8' panels only

These products covered by: US patents (6,799,591 B2) (7,258,749, B2) with additional patents pending



TYPICAL WALL DETAIL



P/N	HEIGHT
2MB658	4'
2LV591	6'
2MB655	8'
2MB657	10'

P/N	LENGTH
2NA906	6'
2MC665	7'
2LV590	8'
2MU846	10'

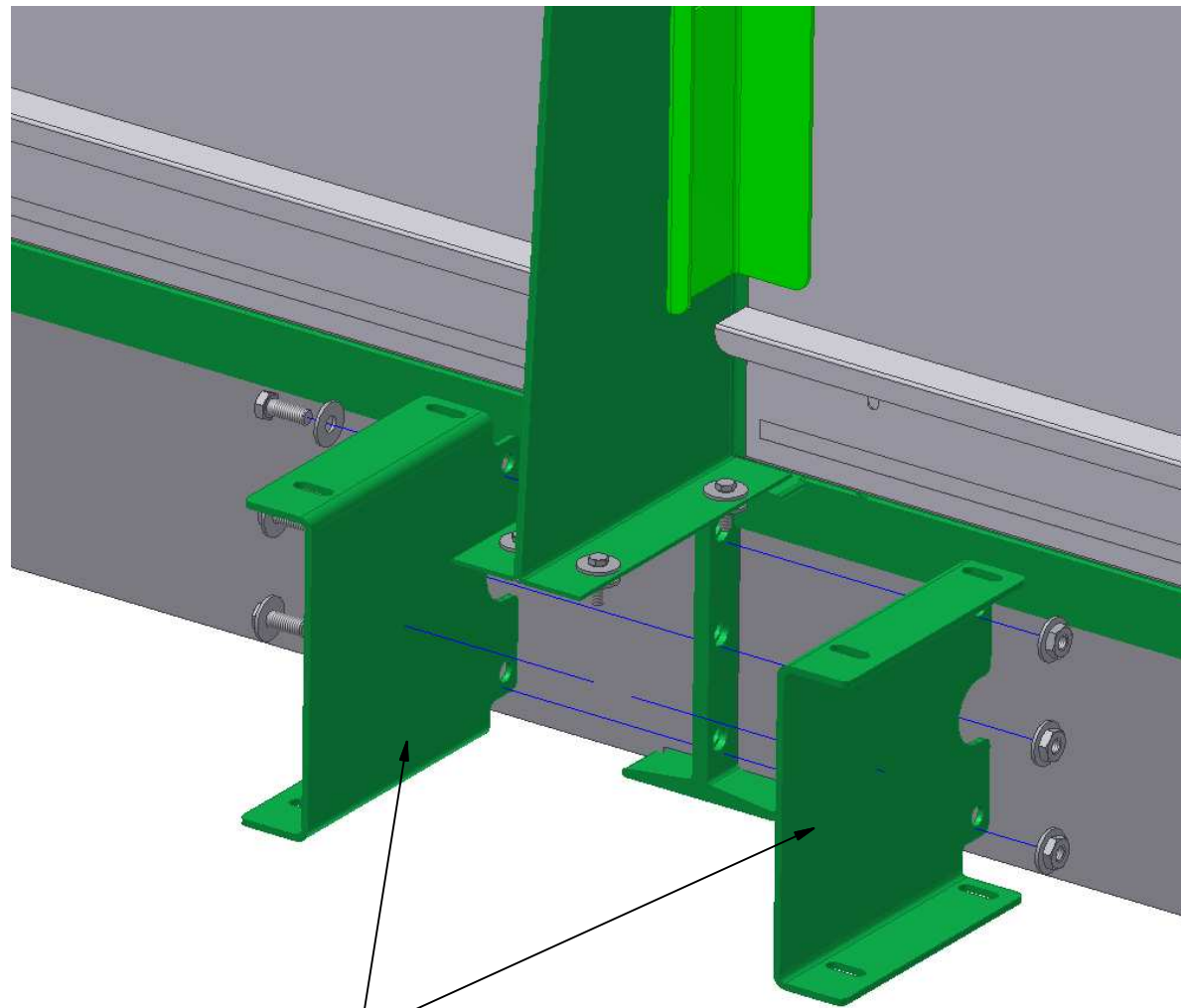
P/N	LENGTH
2OU365	6'
2MC664	7'
2LU589	8'
2MU849	10'

P/N	HEIGHT
2MB659	4'
2LV592	6'
2MB654	8'
2MB656	10'

P/N	LENGTH
2NA907	6'
2MC663	7'
2LU588	8'
2MU847	10'

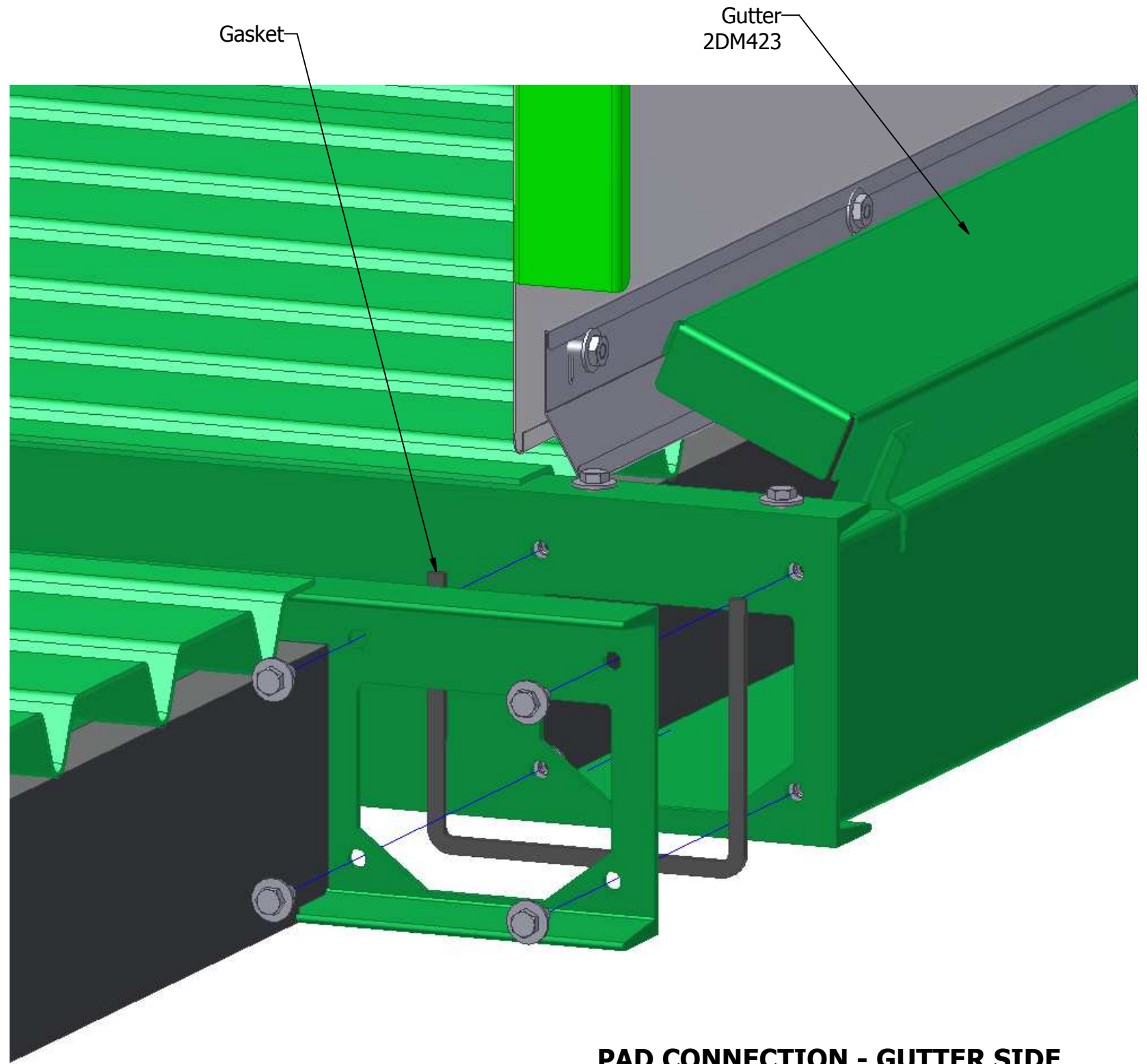
* Gutter side and non-gutter side walls will always use 8' panel lengths.

Railwall panel lengths can vary from 6' to 10' lengths.



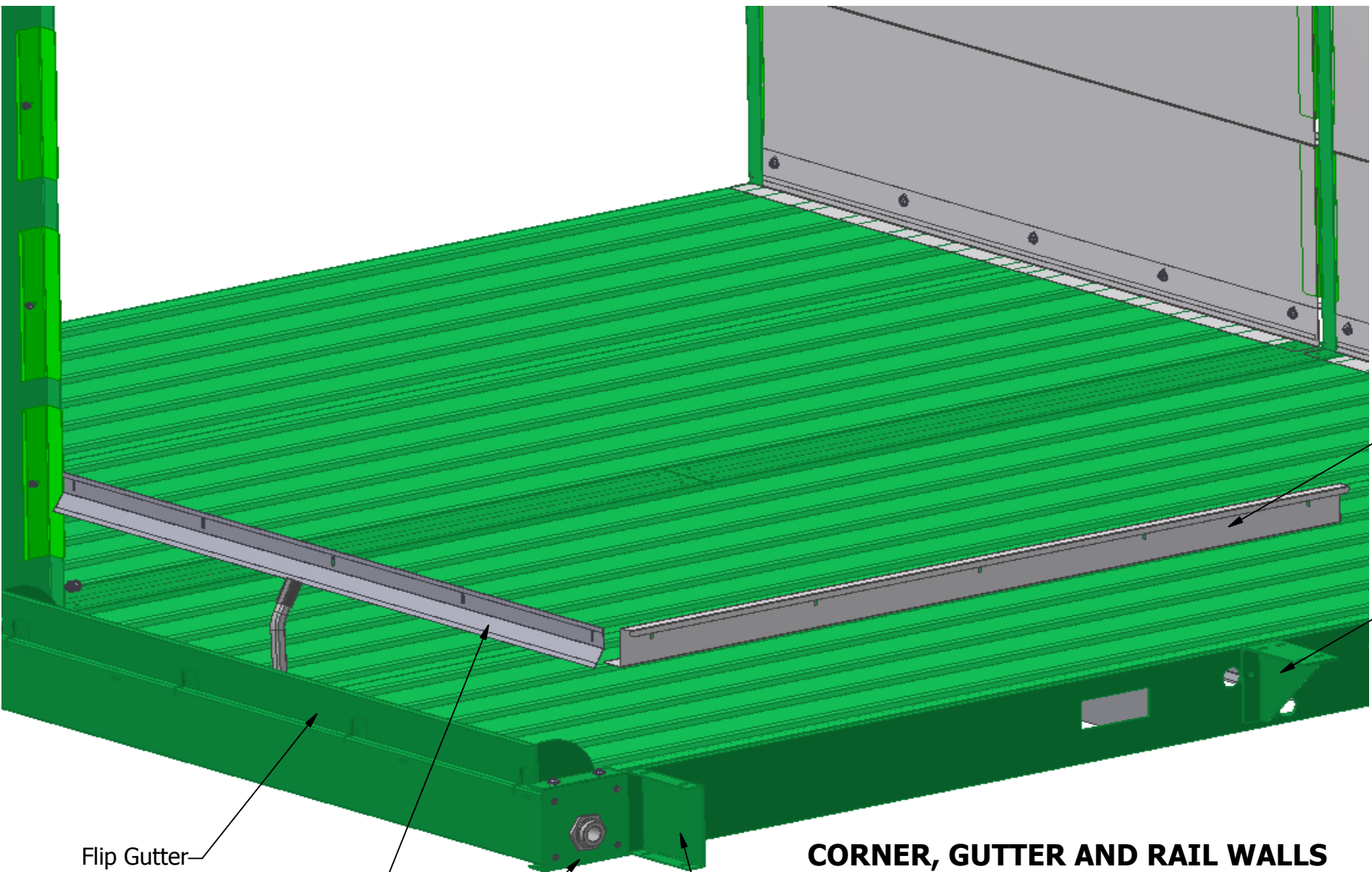
Wall gusset bracket
2LZ630

PAD CONNECTION - NON-GUTTER SIDE



PAD CONNECTION - GUTTER SIDE

These products covered by: US patents (6,799,591 B2) (7,258,749, B2) with additional patents pending

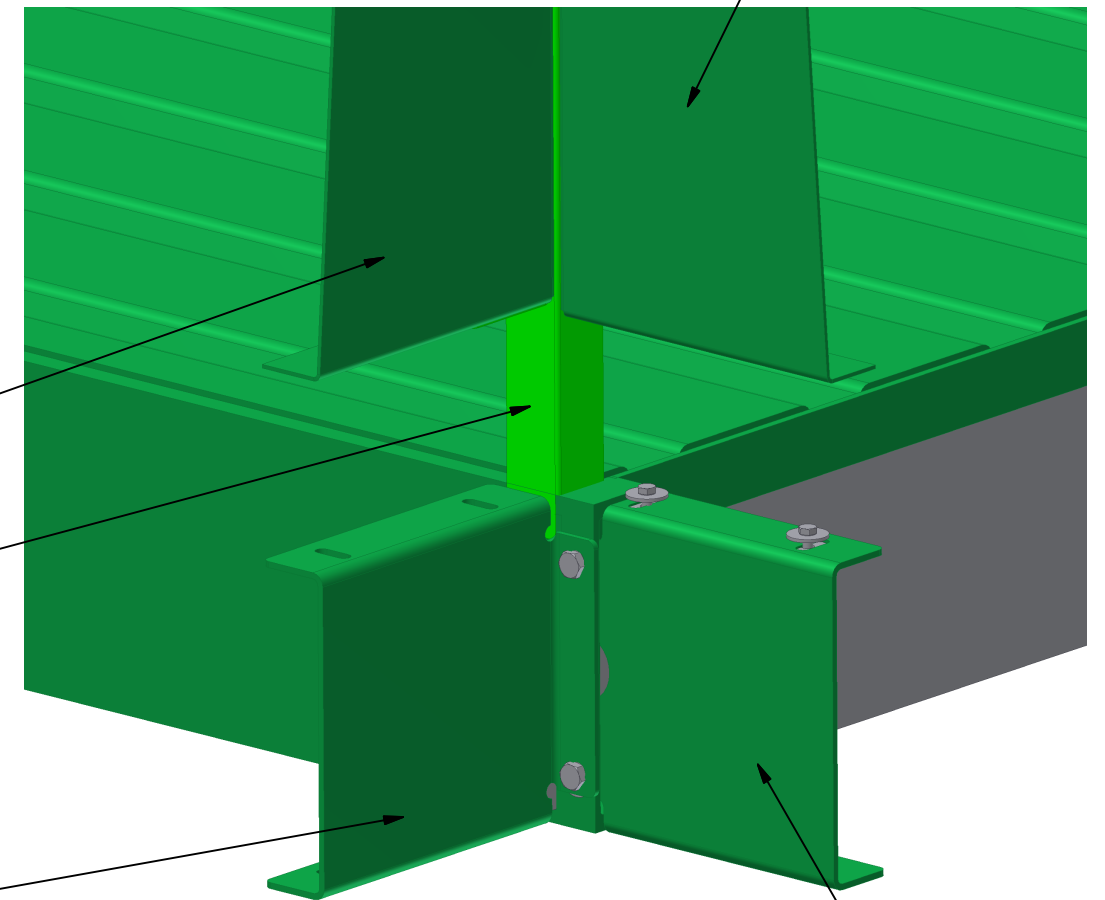


Non-gutter/rail side deflector (90°)
2LV598

Rail wall middle gusset bracket
2MC661

Wall end bracket, right
2MB655

CORNER, RAIL AND NON-GUTTER WALLS



CORNER, GUTTER AND RAIL WALLS

Flip Gutter

Gutter side deflector (45° bend)
2LV597

Gutter seal plate
2MA643
Gutter seal kit
1VF279

Rail wall gusset bracket
2MC660

Wall end bracket, left
2MB654

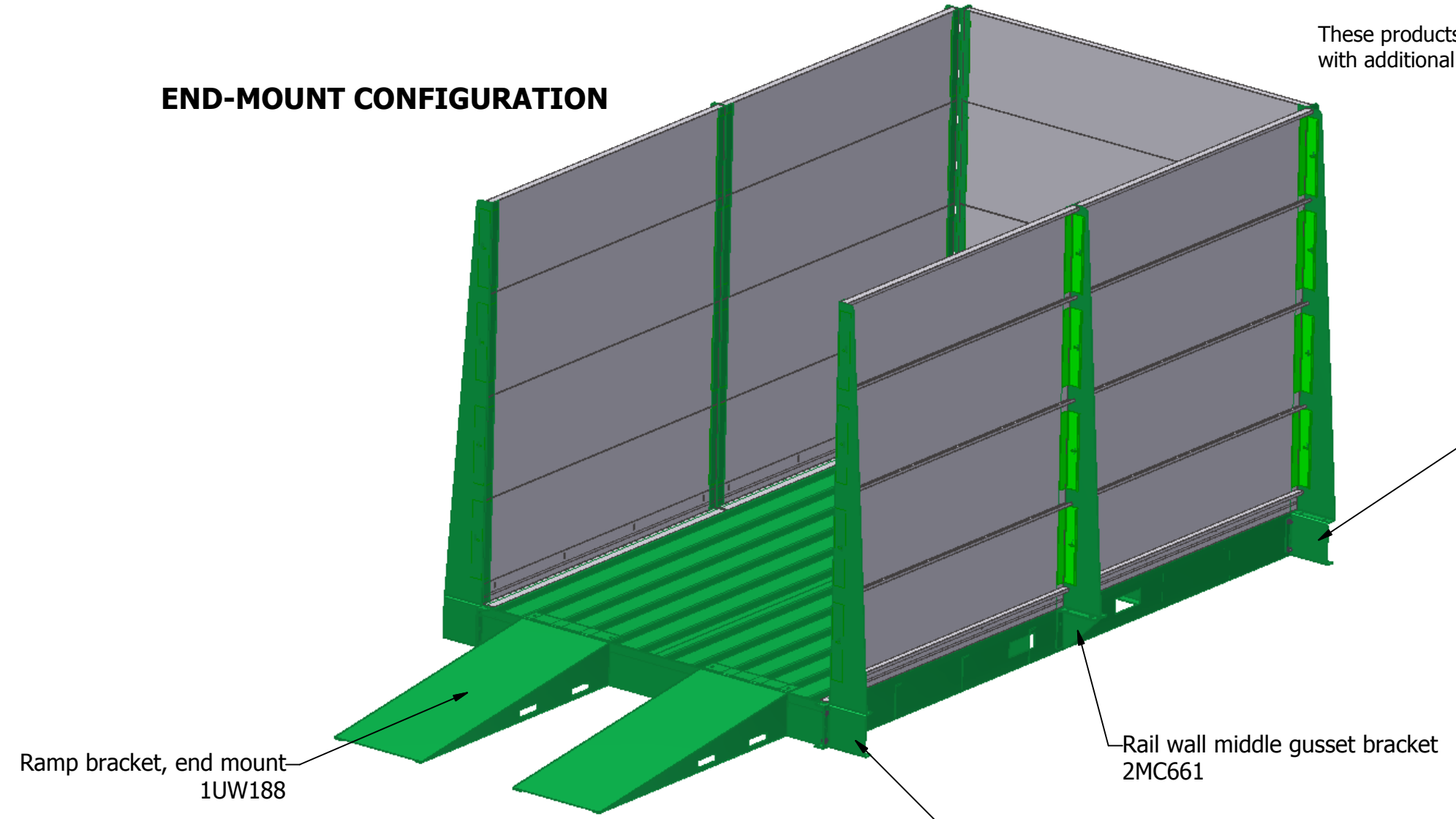
Inside corner bracket

Rail wall gusset bracket
2MC660

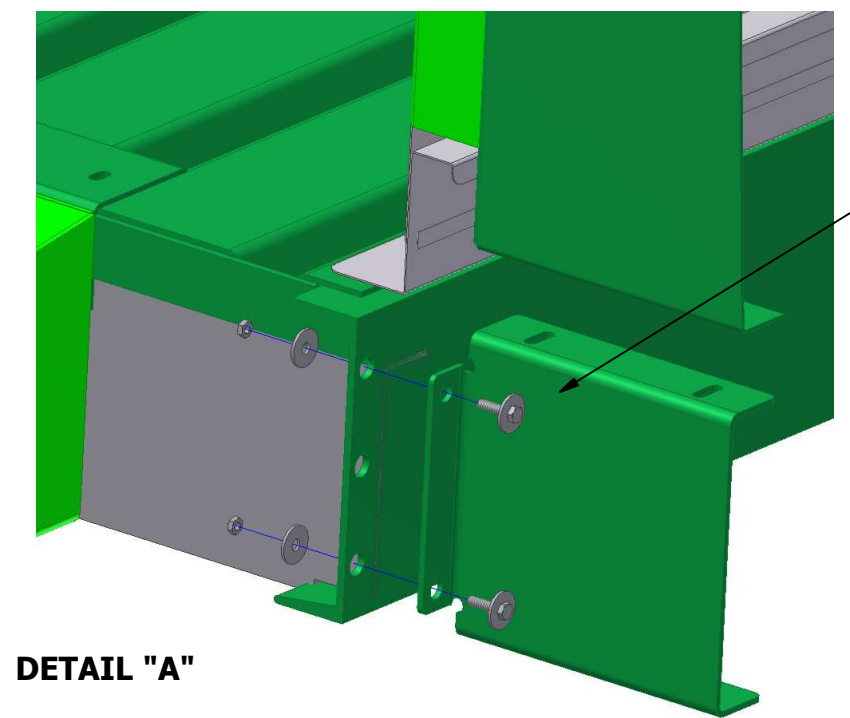
Wall gusset bracket
2LZ630

These products covered by: US patents (6,799,591 B2) (7,258,749, B2) with additional patents pending

END-MOUNT CONFIGURATION



SEE DETAIL "B"
Gusset bracket
2MC660



Mount gusset bracket in existing channel holes

2x 1/2" carriage bolts,
placed from opp. side

Note direction of bends
Gusset bracket, 2MC660

